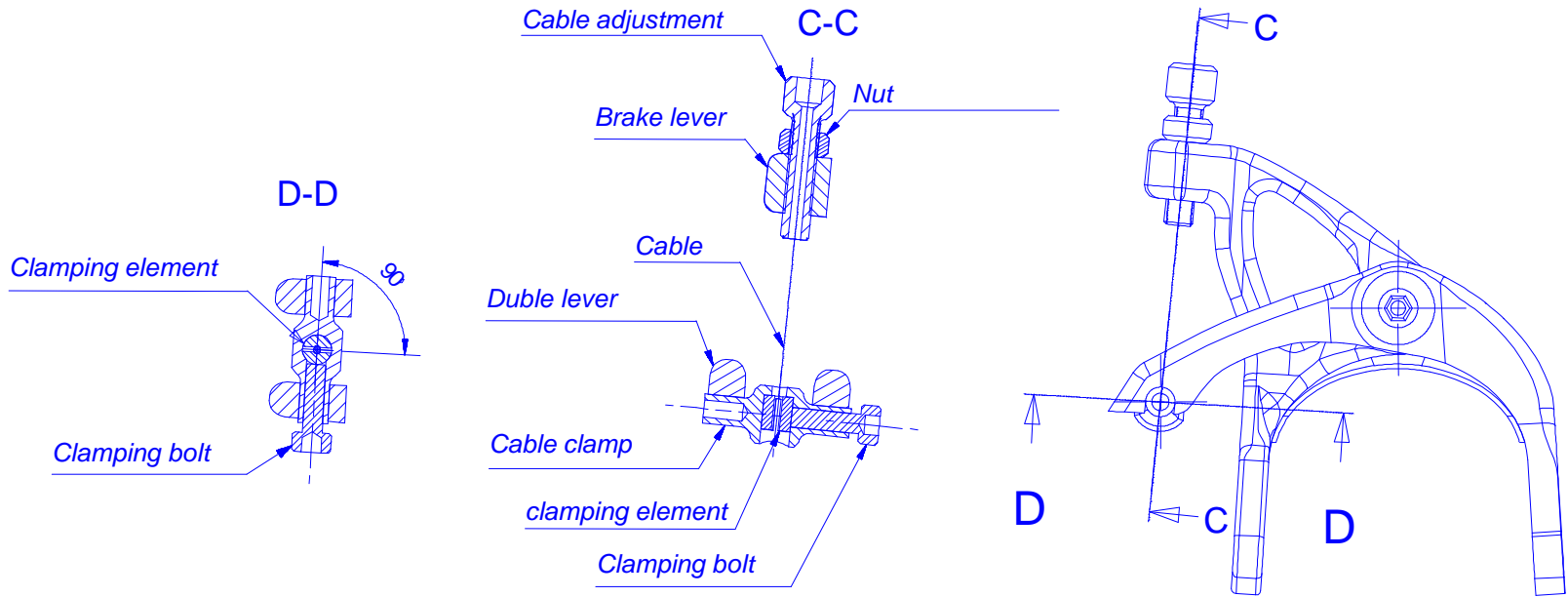


# manuel instuctions



Make shure that the cable gets clamped like shown. The slot of the clamping element has to have a angle of 90° to the clamping bolt!